

Product Modification Notice

Date: July 20, 2015
To: All Lumenera Partners
From: Lumenera Corporation



Re: Universal Power Supplies Product Modification Notice Product News #15-Corp-02

Lumenera has decided to change the 5 VDC Universal Power Supply (Part# La20515) to source from an alternate vendor. The change is necessary to ensure the maximum reliability of our power supplies and ensure sufficient supply of product on an ongoing basis. The new replacement power supply is Part# La050300. Effective immediately, this new power supply will replace Part# La20515 for all products that ship with a 5V power supply.

Please note:

- The majority of Lumenera cameras do not require external power supplies, instead relying on USB bus power.
- The replacement power supply meets or exceeds the performance specifications of the previous power supply.
- The cord length is 10” shorter than the La20515 power supply.
- Dimensions of the power adapter are different. Please refer to the drawings included in section E.
- The product includes a set of international plugs. See section F for photo of the adapter with international plug set.

A. Ordering Information

| New Lumenera Catalogue # | Old Lumenera Catalogue # | Power Supply Description | MSRP |
|--------------------------|--------------------------|--------------------------|---------|
| La050300 | La20515 | 5 V DC, 3 A, 15 W | \$30.00 |

B. Cameras Impacted by Part Change

| Industrial Cameras | INFINITY Cameras |
|---|---|
| CAMV2400 (all variants) CAMV2500 (all variants) Lt365R, Lt665R, Lt965R, Lt1265R (all variants) (only if using one of the La2000PIOK or La2000PK power supply kits) Lw1165CP (all variants) Lw1165MP (all variants) Lw1166MP (all variants) Lw1236XC (all variants) N9033210 PS-CM+ (all variants) Q5SC Q5SM | INFINITYHD INFINITY3-1 (all variants) INFINITY3-1PF (all variants) INFINITY3-3UR (all variants) INFINITY3-3URF (all variants) INFINITY3-6UR (all variants) INFINITY3-6URF (all variants) INFINITYX-32 (all variants) |

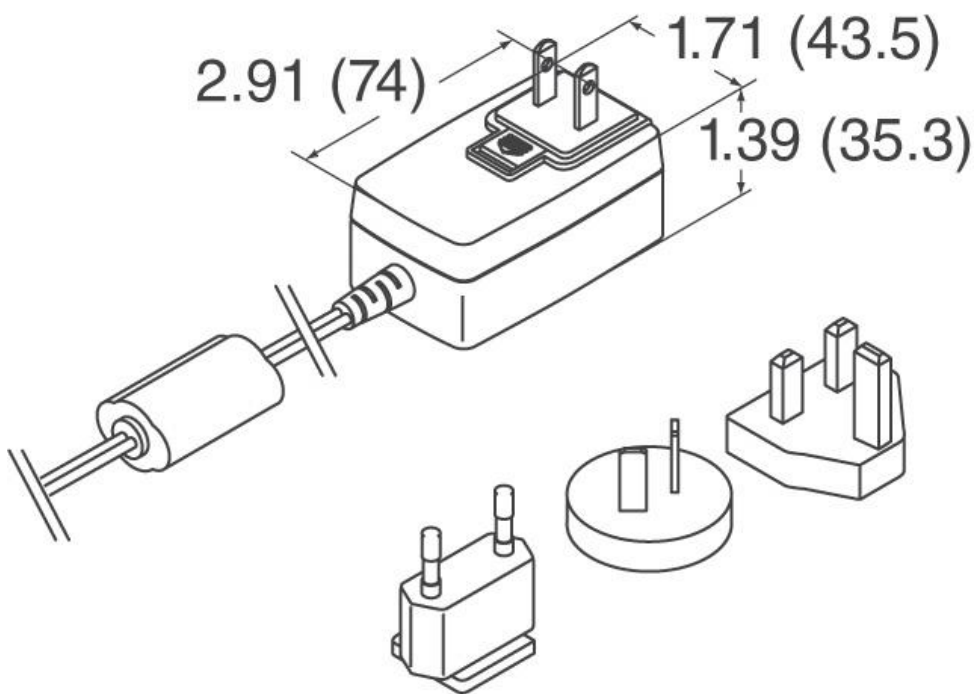
C. Technical Highlights

| Model | Input | Output |
|--------------|------------------|----------------|
| La050300 | AC 90 V to 264 V | DC 5 V / 3.0 A |

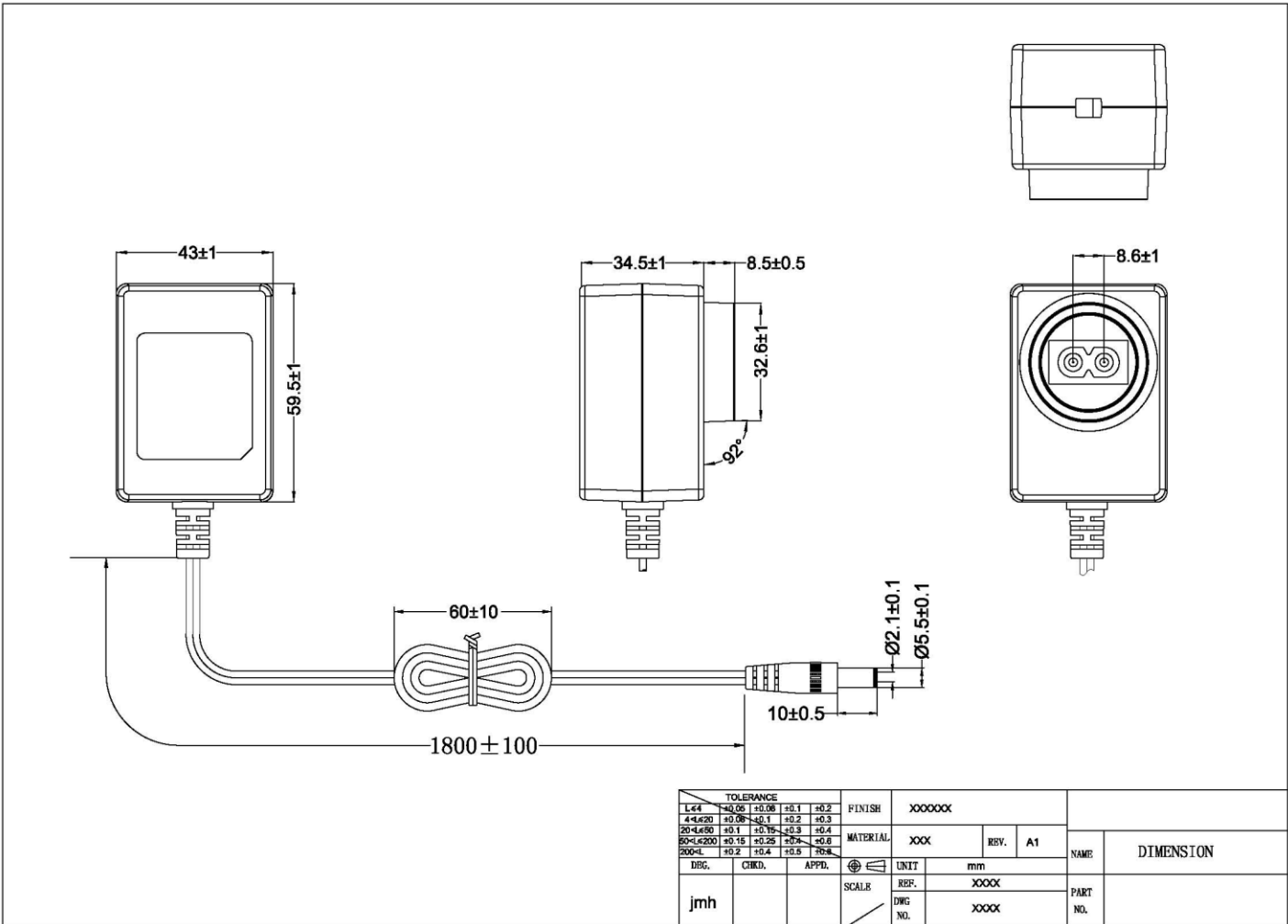
| General Specification | |
|------------------------------|-----------------------------|
| Operating Temp | 0 to 40 °C |
| Storage Temp | -20 to 85 °C |
| Operating Relative Humidity | 5 to 95 % RH non-condensing |

D. Dimensions

La050300 Dimensions



La050300 Mechanical Drawing (EOL Power supply – For reference)



E. La050300 Product Image

La050300 Power Supply with International Electrical Plugs



Questions?

Please contact your Lumenera Account Manager at +1-613-736-4077 for more information. For Technical Support please contact us at support@lumenera.com.