

Date: Wednesday, November 11, 2009

To: All Lumenera Partners

From: Lumenera Corporation



Re: **Industrial USB 2.0 Camera Product Modification Notice**
“Full-Time” I/O & Adjustable Lens Mount
#09-Ind-06

Effective November 15, 2009, Lumenera will begin phasing in industrial USB 2.0 cameras with an improved enclosure that offers a “full-time” Input/Output (I/O), and an adjustable lens mount. This change will affect all Lu and Lw-series USB 2.0 enclosed cameras except the Lw11059.

Description

The new camera enclosure and lens mount is fabricated from die cast aluminum, painted with black powder coat on non-mating exterior surfaces.

All cameras with the new enclosure will have an I/O provided as a standard feature. Cameras ordered without the I/O option will include a sealed cover over the I/O connector. As with the earlier design, the back focal distance is set at the factory to be compatible with C-mount lenses. An optional CS-mount lens can be ordered as –CS (ex. Lw115C-CS).

Features

- Easy to use with a wide assortment of lenses
- Accepts a C-mount and optional CS-mount lens
- Allen (hex) key adjustment of set screws will allow a user to set a custom back focal distance
- Identical mechanical size and mounting points as previous enclosure

Ordering information

There will be no change to ordering information for cameras.

Obsolescence

The previous lens mount design will be discontinued. Please contact your Sales representative for any custom or legacy requirements.

Allen (Hex) Key Information

Adjustments to set the custom back focal distance can be made using a McMaster Carr # 5497A23, Comfort Grip Ball Driver Standard Length, 1/16" Hex, 2-1/2" Blade Length, or any other equivalent model.

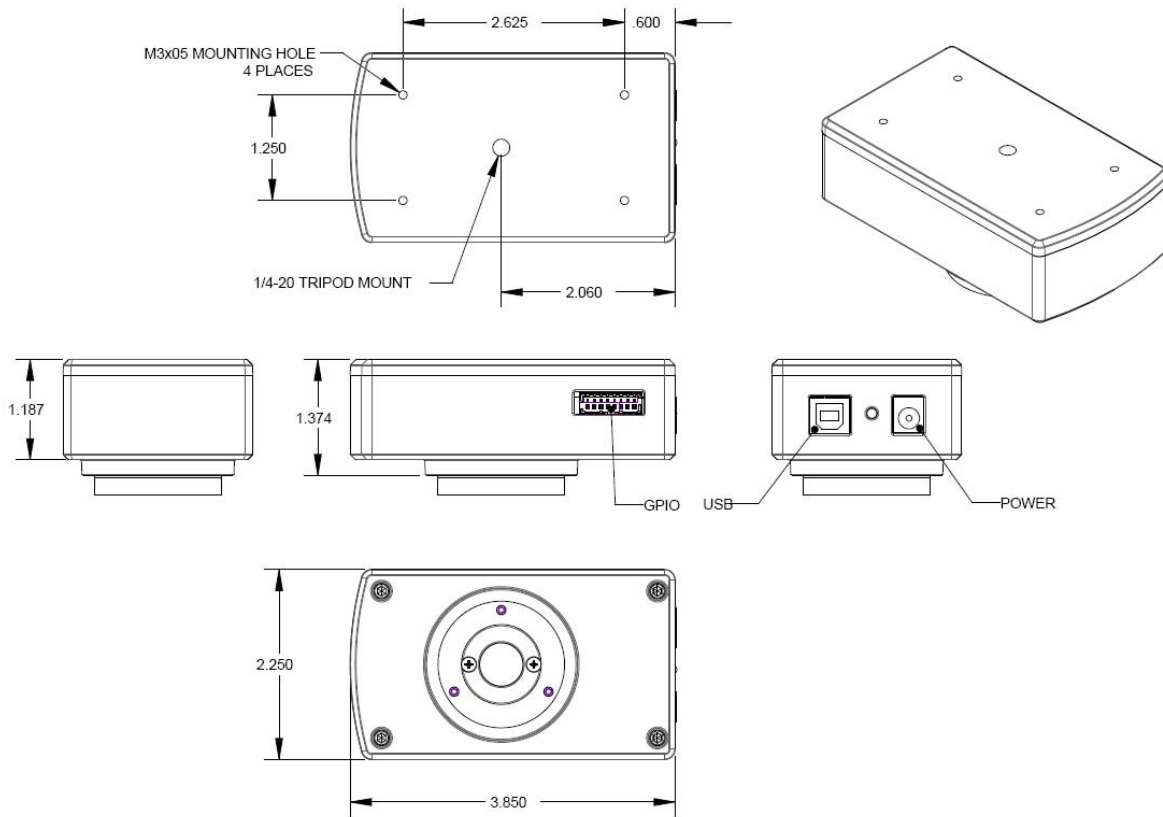
Repair Policy

Lumenera reserves the right to substitute the new enclosure as required on cameras returned to the factory for repairs. This policy may be subject to other customer-specific service level agreements.

Updated Datasheets

As the new enclosures are phased in, updated datasheets will be available on the Lumenera website at:
<http://www.lumenera.com/products/industrial-cameras/index.php>.

Mechanicals:



INDUSTRIAL DIE CAST CAMERAS

Contact Information

Should you have any questions or concerns, please contact your Sales representative, or Tenaha Moxon, Senior Sales Coordinator, at tenaha.moxon@lumenera.com / +1-613-736-4077 x 180 for more information.